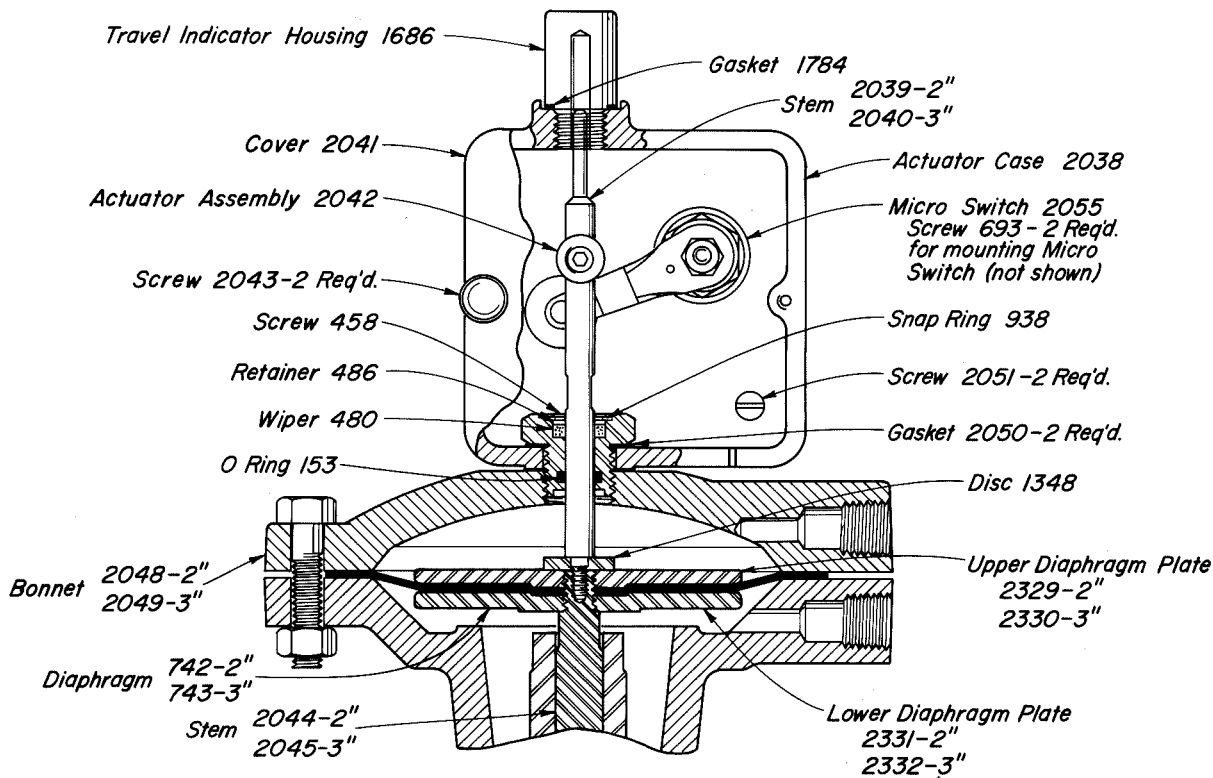


APPLICATIONS:

For sensing a pre-determined position (usually "open" or "closed") of an angle, thru or 3-Way Balanced Series Motor Valves, and signaling when the position has been reached by electric contacts.

MICROSWITCH TOPWORKS
 2" & 3" S/F/GMT/A DB/PB PO &-D
 and
 2" & 3" S/F/G3W-D LPC



TOPWORKS AVAILABLE:

CAT. NO.	TOPWORKS DESCRIPTION
EJE	2 IN DB/PB MICRO SW TWKS
EJE1	2 IN DB/PB MICRO SW TWKS w/Explosion Proof Switch
EJF	3 IN DB/PB MICRO SW TWKS
EJF1	3 IN DB/PB MICRO SW TWKS w/Explosion Proof Switch