



LEVEL SWITCH

**VERTICAL ELECTRONIC
STEEL**

APPLICATIONS:

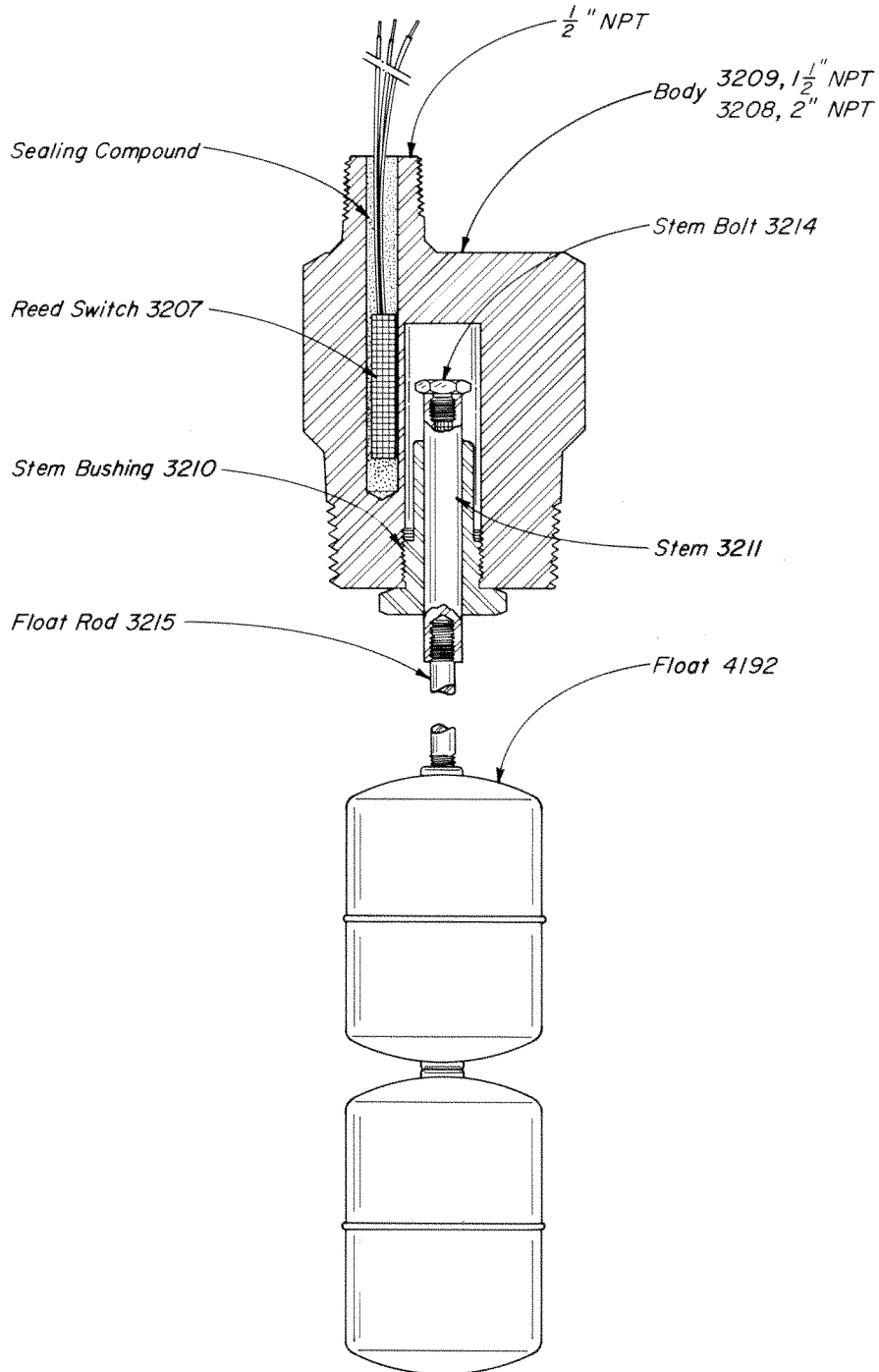
To electronically sense a specific level in a vessel.

WORKING PRESSURE:

300 psig

MAX. RATINGS:

- 3 Watts
- 0.25 Amps
- 120 VAC
- 5 VA
- 175 DC



LEVEL SWITCHES AVAILABLE:

CAT. NO.	ORIFICE SIZE	LEVEL CONTROL	OPER. PRES.	MAX W.P.
CED	1"	1.5" 30 VELS	300	300
CEE	2"	2" 30 VELS	300	300

NOTES: